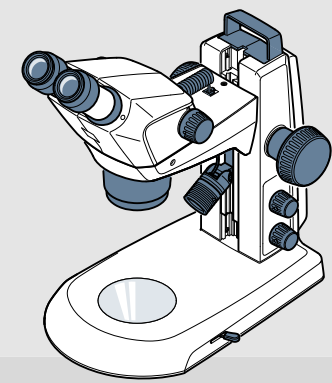
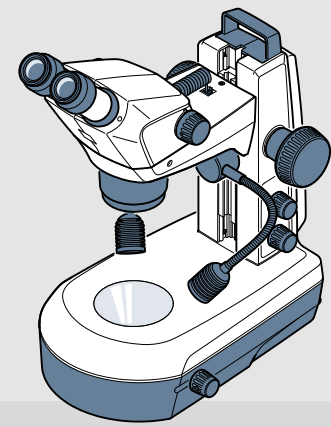


Stemi 305 MAT microscope set
435063-9030-100



Stemi 305 EDU microscope set
435063-9010-100



Stemi 305 LAB microscope set
435063-9020-100

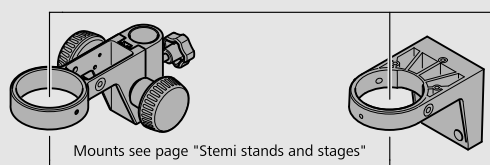
Stand K MAT
435425-9020-000 (without fig.)
(incl. B/W plastic plate and dust cover)

Storage Box K
435065-9030-000 (without fig.)

Stand K EDU
435425-9000-000
(incl. glass and B/W plastic plate and dust cover)

Stand K LAB
435425-9010-000
(incl. glass and B/W plastic plate and dust cover)

Stand M LED
435425-9100-000
(incl. glass and B/W plastic plate and dust cover)



5

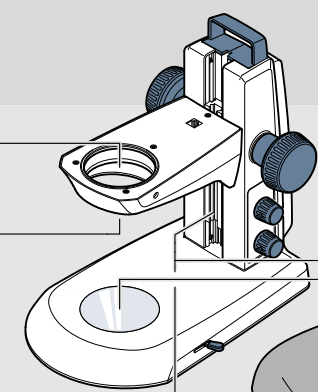
Front optics 3
0.5x FWD 185 mm
435263-9050-000 (incl. adapter, d=66 mm)
[not suitable for stands K]

without front optics

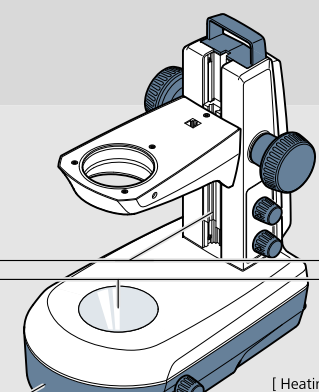
Front optics 3
0.75x FWD 128 mm
435263-9070-000 (incl. adapter, d=66 mm)

Front optics 3
1.5x FWD 56 mm
435263-9150-000 (incl. adapter, d=66 mm)

Front optics 3
2.0x FWD 43 mm
435263-9200-000 (incl. adapter, d=66 mm)

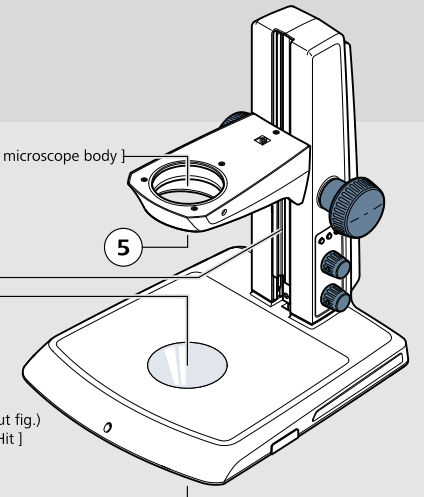


Hand rest stand K LAB
435425-9010-010



[Heating plates for stands K/M (without fig.) directly from Tokai Hit]

Polarizer transillumination K/M
435526-9020-000



Transillumination Unit M LED
435525-9100-000

Analyzer M49/52, rotatable
435526-9000-000
Dust protection glass M49/M52
435063-9200-000 (without fig.)

[LED stands K and M]

Ring illuminator K LED, segmentable
435525-9050-000
(other illuminations d=66 mm, see page "Stemi illumination")

Controller K LED
435525-9200-000
(to use ring illuminator K without LED stands K/M)

Double spot illuminator K LED
435525-9020-000

Polarizer for spot illuminator K LED
435526-9010-000

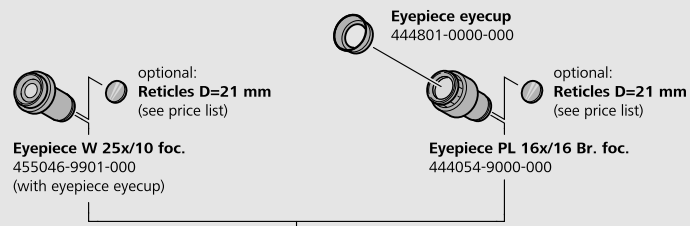
Spot illuminator K LED
435525-9010-000

Transilluminator Brightfield M LED
435525-9130-000

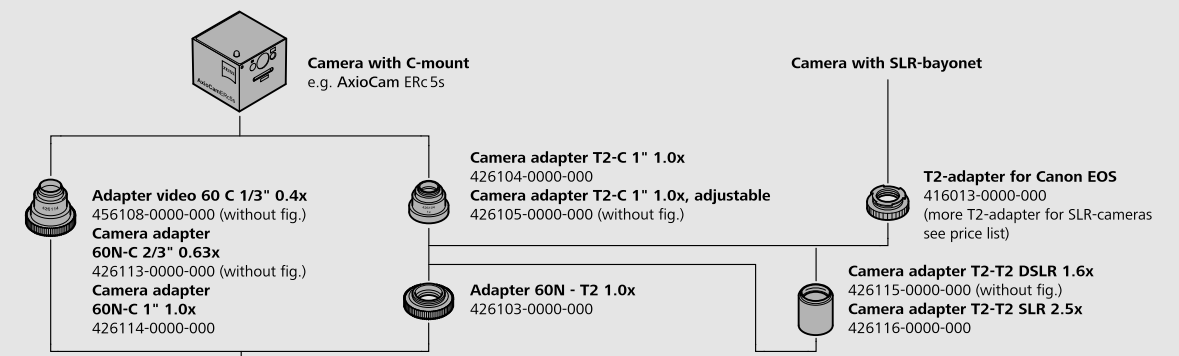
as a substitute:
Dust cover
415500-1800-000

as a substitute:
Glass plate, D=84x5 mm
435425-9310-000

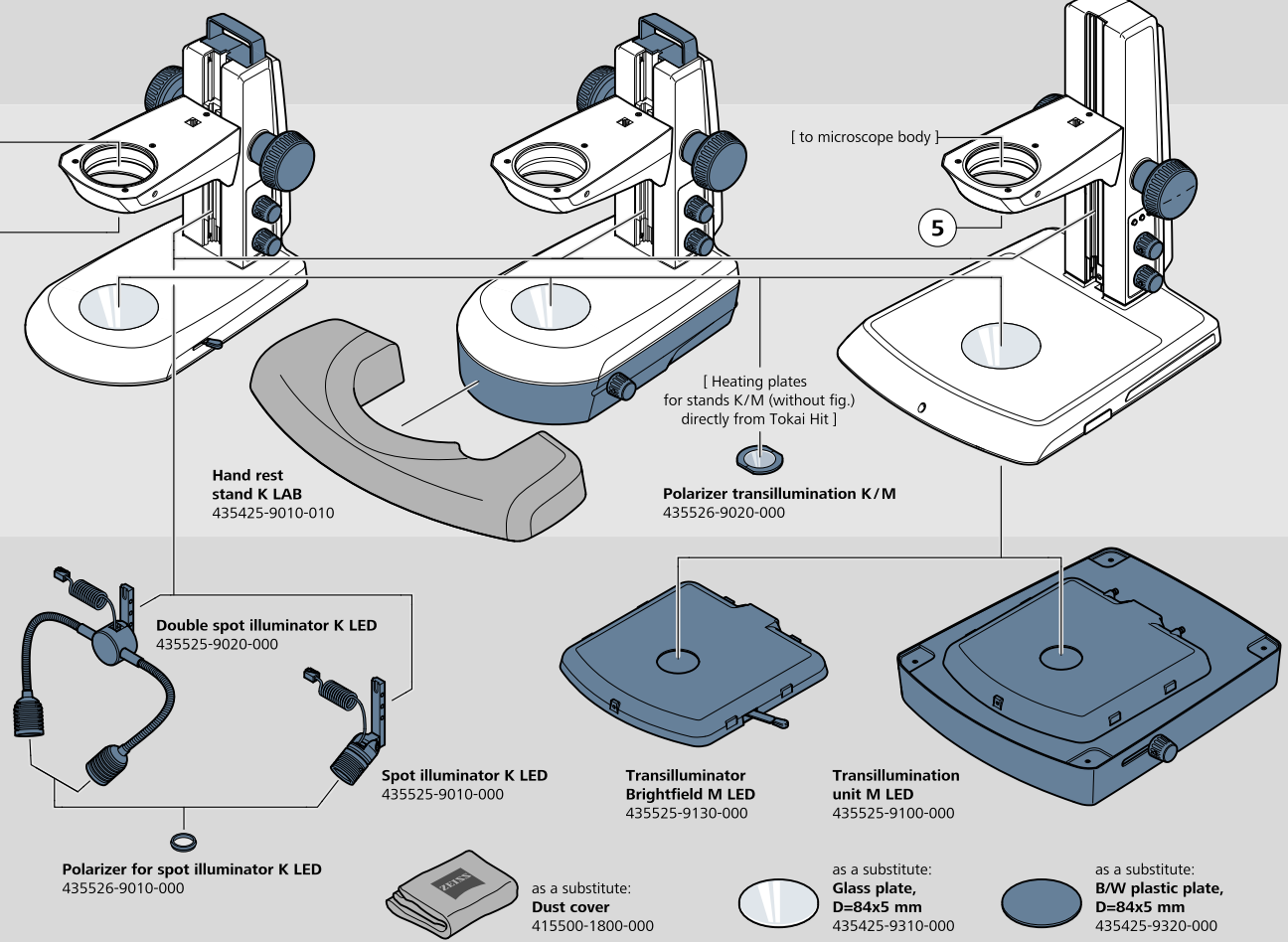
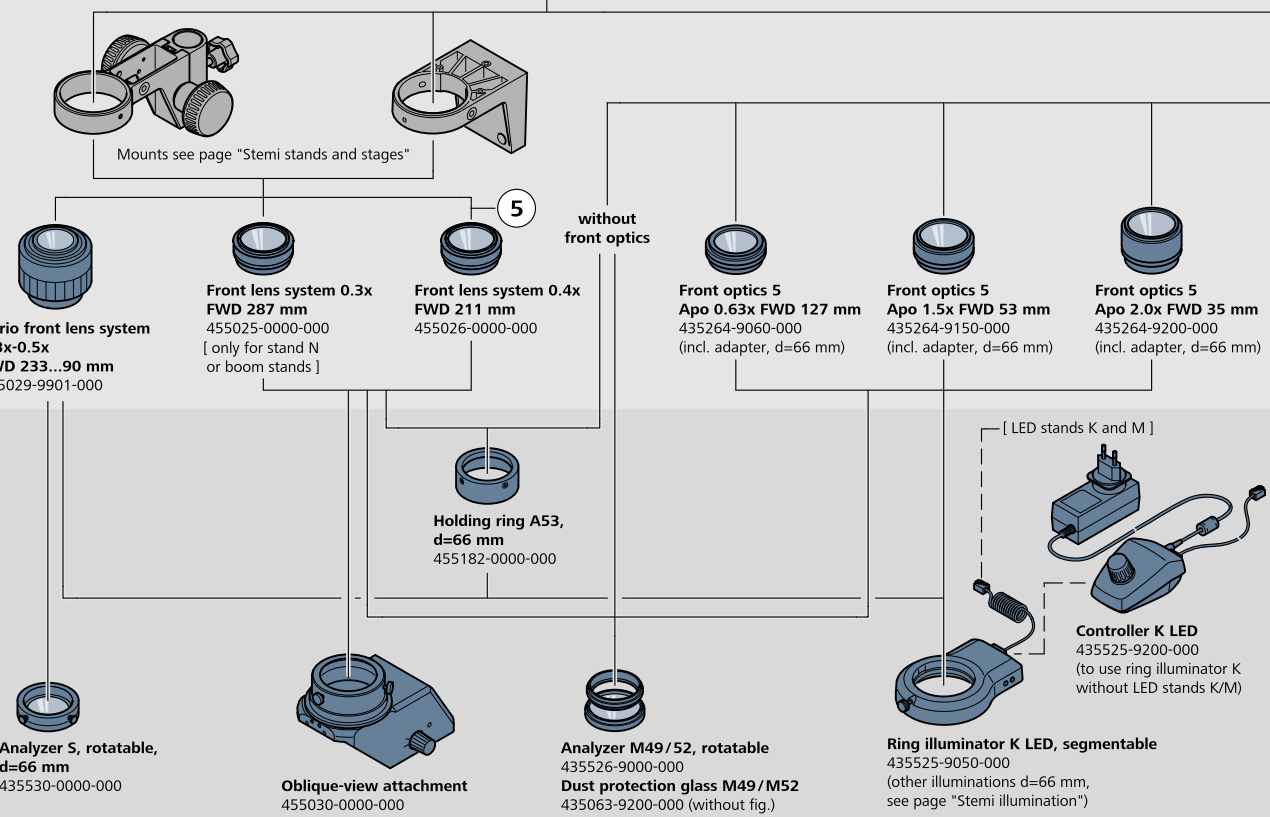
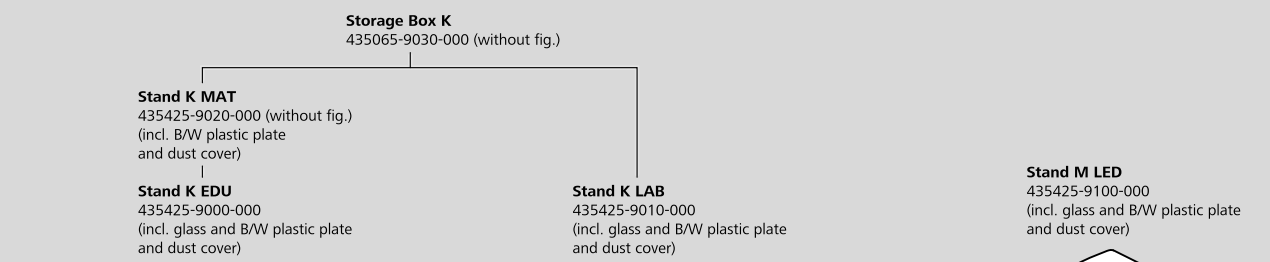
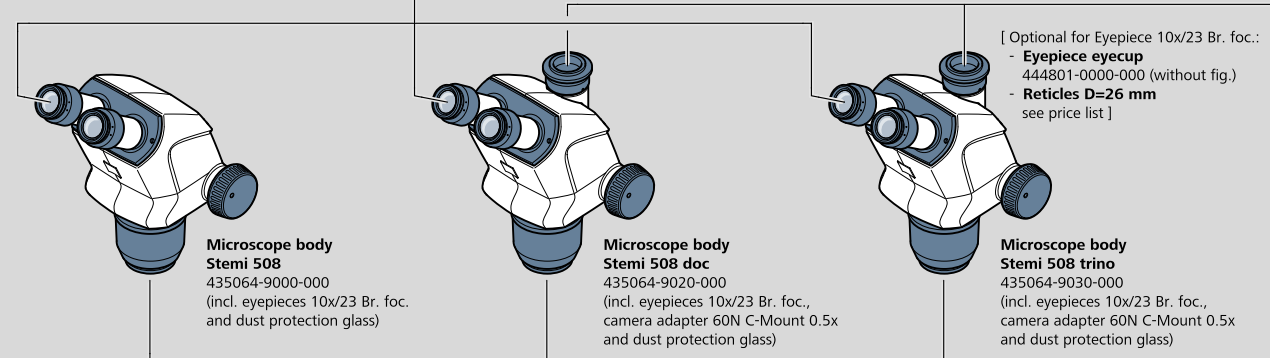
as a substitute:
B/W plastic plate, D=84x5 mm
435425-9320-000

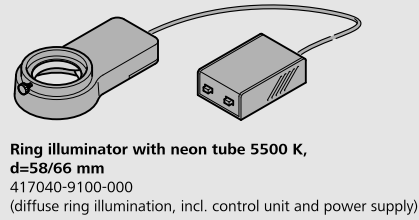


[alternative eyepieces]

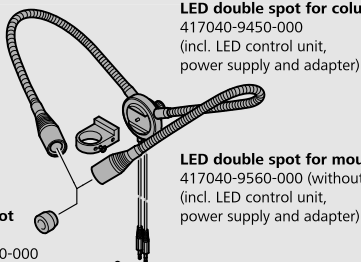


[alternative camera adapters]





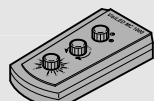
Ring illuminator with neon tube 5500 K,
d=58/66 mm
417040-9100-000
(diffuse ring illumination, incl. control unit and power supply)



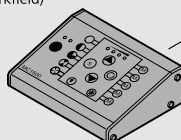
LED double spot for column 32
417040-9450-000
(incl. LED control unit, power supply and adapter)

LED double spot for mount S 76 mm
417040-9560-000 (without fig.)
(incl. LED control unit, power supply and adapter)

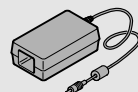
EasyLED spot polarizer
417096-9600-000



Controller MC 1000 for VisiLED
417095-9040-000
(1 VisiLED illuminator connectable)



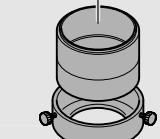
Multiple controller MC 1500 for VisiLED
417095-9000-000
(2 VisiLED illuminator connectable)



Power supply 100...240 V,
50...60 Hz for VisiLED
417095-9050-000



VisiLED ring light S, 80-25 BF,
d=66 mm
417095-9225-000 (without fig.)
VisiLED ring light S, 80-55 BF,
d=66 mm
417095-9255-000
(Segment ring illumination)



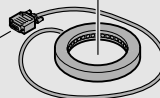
Set for simultaneous fixing
VisiLED BF+DF
417095-9500-000



Polarization filter set
VisiLED/EasyLED
417095-9550-000
(only with 417095-9255-000)

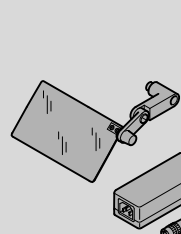


Holder, d=66 mm
to VisiLED DF
417095-9510-000

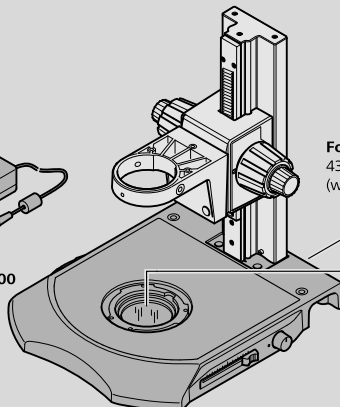


VisiLED ring light S 40-10 DF,
d=66 mm
417095-9300-000
(Segment ring illumination for incident-light darkfield)

Foot button S
435602-9010-000
(without fig.)



Transillumination base 300
435533-9500-000
incl.:
- Glass plate D=120 mm
- Insert diaphragm 28/84
- Power supply 24 V, 60 W
- Antiglare shield



[Stages: see page "Stemi stands and stages"]
[Heating plate to base 300 (without fig.): directly from Tokai Hit]



Stage adapter 84+120
for transillumination base 300
435533-9510-000

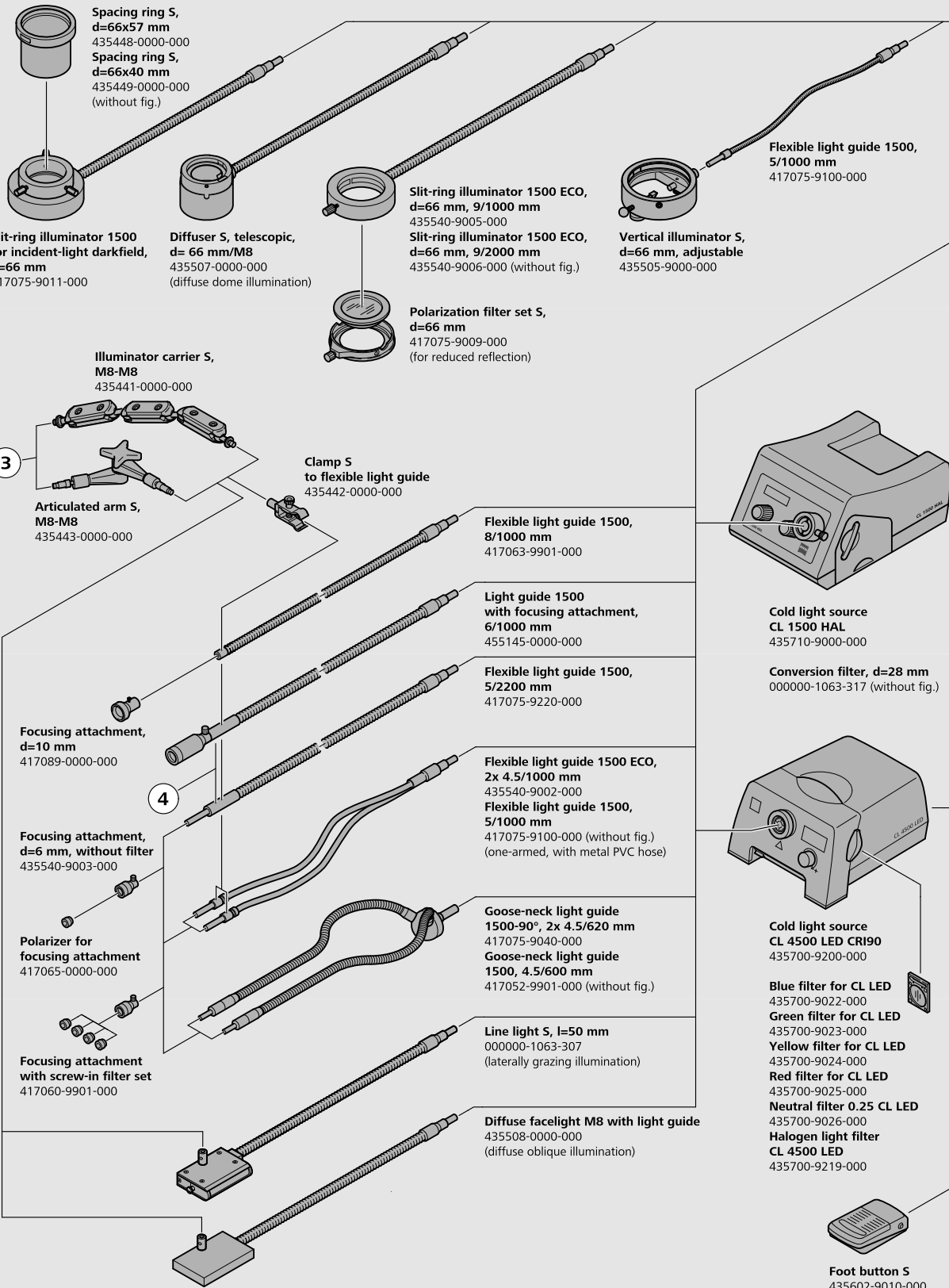


as a substitute:
Glass plate, D=120 mm
435501-0002-000



Polarizer S,
D=84 mm
435531-0000-000

Foot button S
435602-9010-000
(without fig.)



[Mounting frame or plate 160x116 mm of the mechanical stages of Axio Imager]

